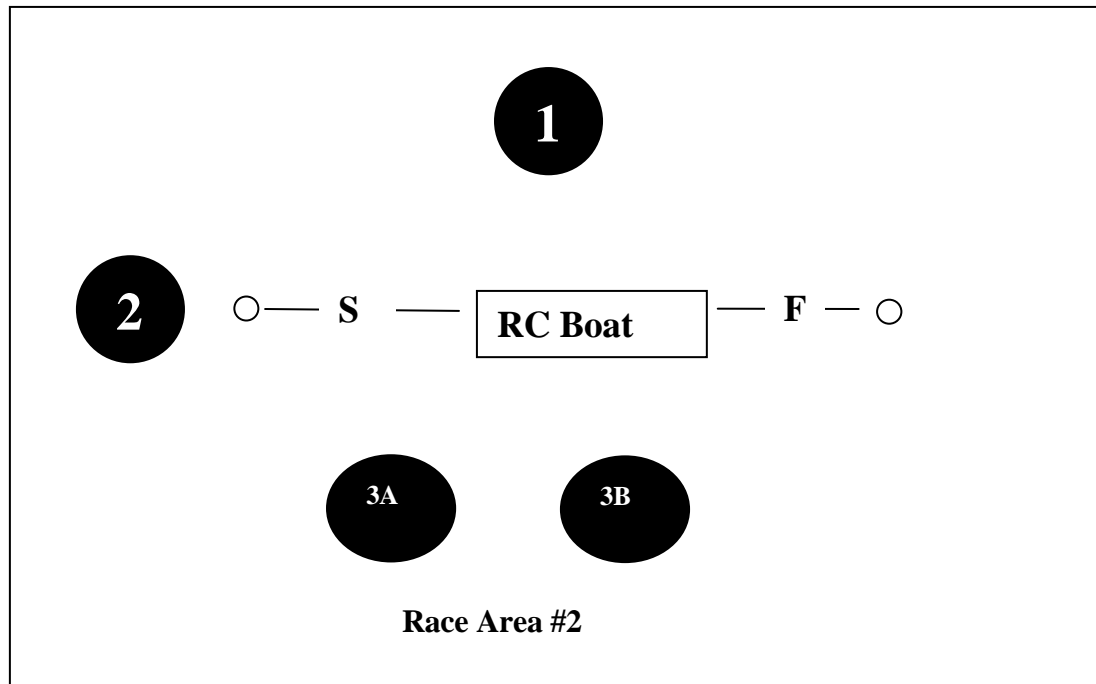




Saturday and Sunday, Sept. 12-13, 2009
Santa Cruz Yacht Club



2009 Race Area #2 Course Sheet



p = Leave mark to port. s = Leave mark to starboard. g = Boats must sail between gate marks 3A and 3B, rounding one of the marks either to port or starboard.

- Course #1 S – 1p – 2p – 3g – F
- Course #2 S – 1p – 2p – 3g – 1p – 2p – 3g – F
- Course #3 S – 1p – 3g – F
- Course #4 S – 1p – 3g – 1p – 3g – F
- Course #5 S – 1p – 2p – 3g – 1p – 3g – F
- Course #6 S – 1s – 3g – 2s – 1s – F
- Course #7 S – 1s – 3g – 1s – F

